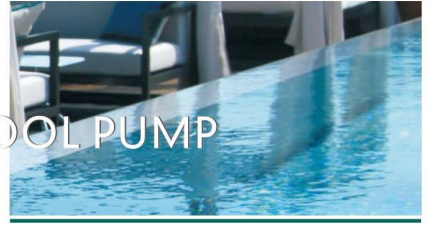




# 专业泳池泵

## PROFESSIONAL SWIMMING POOL PUMP

### ABS



- Internal innovative design with big suction power.
- Simple design basket, easy to take out and install.
- Low noise and IP55 motor.
- Come with two standard DN40 unions easy to install.
- Special materials are used. With superior pressure up to 6kg/cm<sup>2</sup>.
- Suitable for maximum hot water temperature up to 70°C.
- Tailor-made impeller and mechanical seal, suitable for long time use.



- 内部创新设计，自吸力大；
- 简易设计，隔水器易取出易安装；
- 低噪音设计、IP55 电机；
- 配有两个标准 DN40 活接，易安装；
- 特种材料制泵体，可承压 6kg/cm<sup>2</sup>；
- 最高适用于70°C 温泉；
- 特制叶轮，机械轴封，适合超长时间使用。

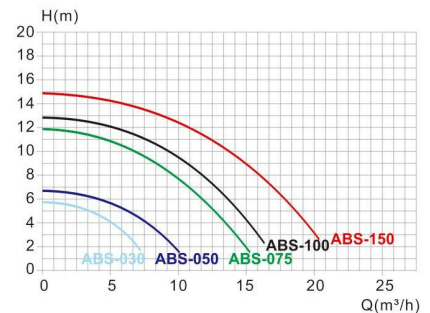
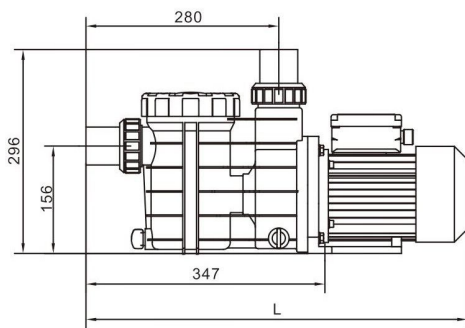
Appearance and design patented, 已注册外观与设计专利，仿冒必究！  
counterfeiting not allowed! Patent No.专利号：CN201930303377.8

**适用于各种类型泳池，承受压力6kg/cm<sup>2</sup>**

Suitable for all kinds swimming pool, working pressure up to 6 kg/cm<sup>2</sup>.

### Specification and size:

### 技术参数及产品尺寸



Model 型号	Voltage 额定电压	Power 额定功率		Inlet/Outlet 进出水口	Hmax 最大扬程	Qmax 最大流量	Length 长	Width 宽	Height 高
	(V)	(kW)	(HP)		(M)	(m³/h)	(mm)	(mm)	(mm)
ABS-030	220	0.25	0.3	DN40	6	7	500	168	245
ABS-050	220	0.37	0.5	DN40	7	10	500	168	245
ABS-075	220	0.55	0.75	DN40	12	15	500	168	245
ABS-100	220	0.75	1	DN40	13	16	500	168	245
ABS-150	220	1.1	1.5	DN40	15	20	500	168	245

★ 110V/220V/380V,50/60Hz 可定制。 110V/220V/380V,50/60Hz pump can be customized.